

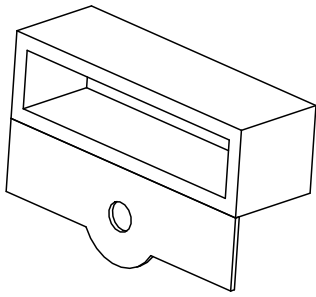
E L I S



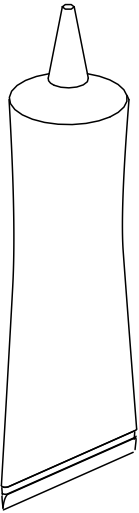
design

Návod na montáž

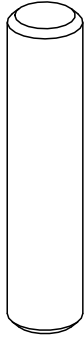
Postel Clasic kvádr



P



G
Lepidlo



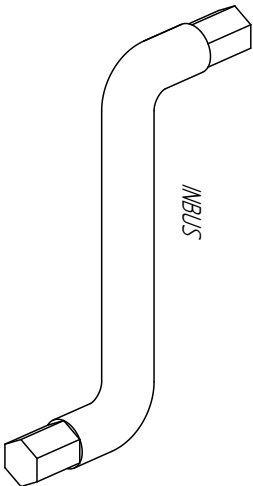
K10

M10x4,5



K8

M8x4,0



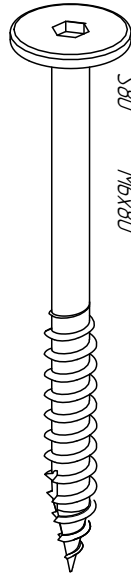
INBUS



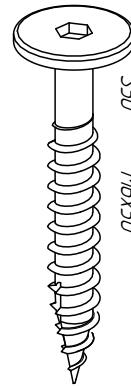
W30
M4x30



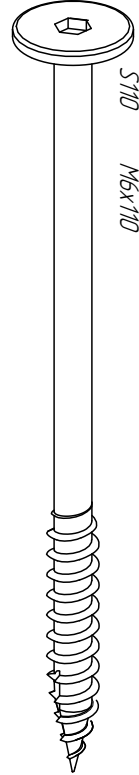
W16
M4x16



S80
M6x80



S50
M6x50



S110
M6x110

- S110 - x4
- S80 - x12
- W30 - x14
- W16 - x32
- p - x32
- K10 - x16
- G - x3
- INBUS - x1

Postel Clasic kvádr

60x120 70x140

70x160 80x140

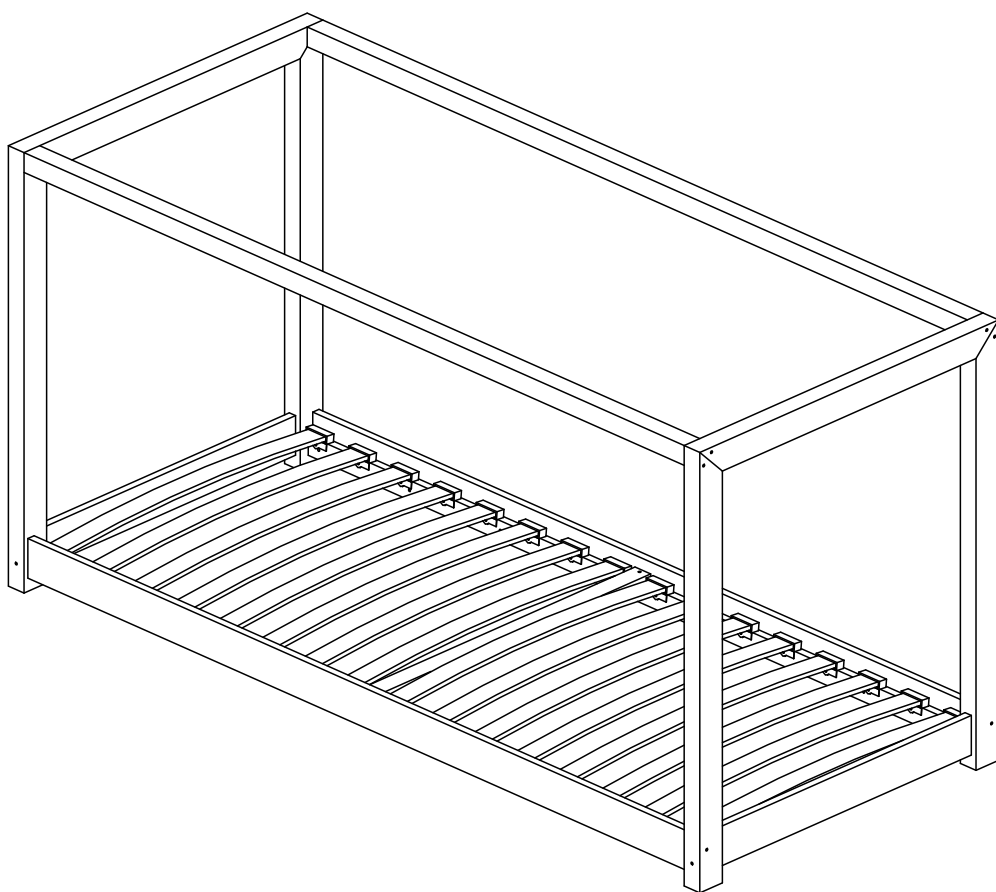
80x160 80x180

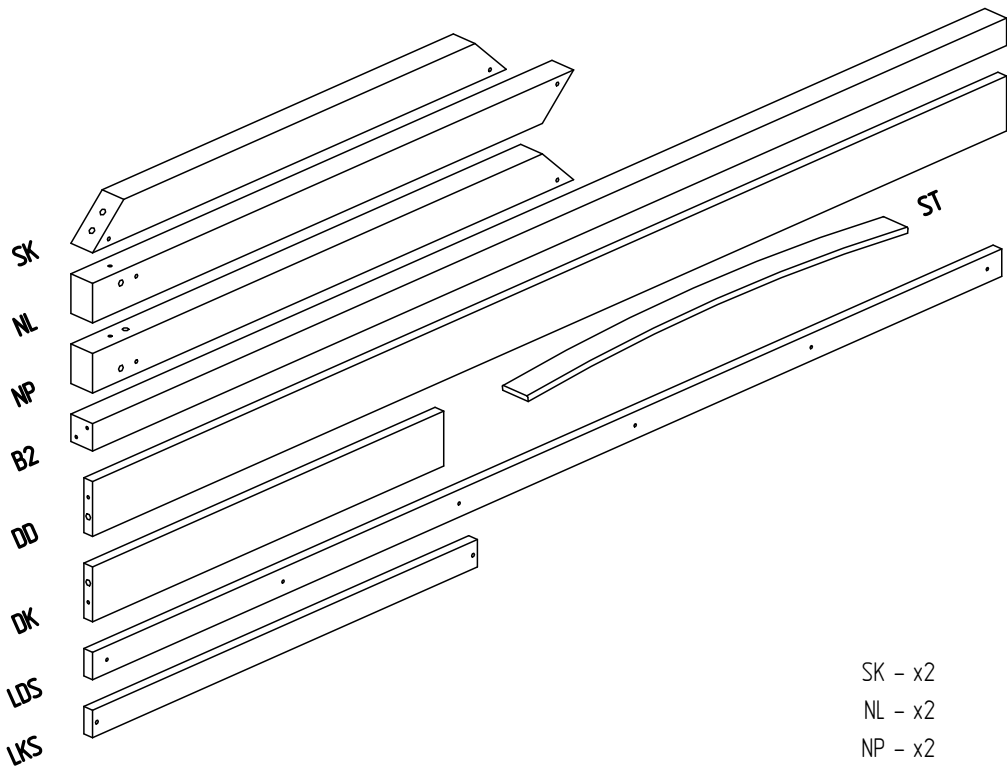
80x190 80x200

90x140 90x160

90x180 90x190

90x200





- SK - x2
- NL - x2
- NP - x2
- B2 - x2
- DD - x2
- DK - x2
- LDS - x2
- LKS - x1
- ST - x16

K10 - x8

NL - x2

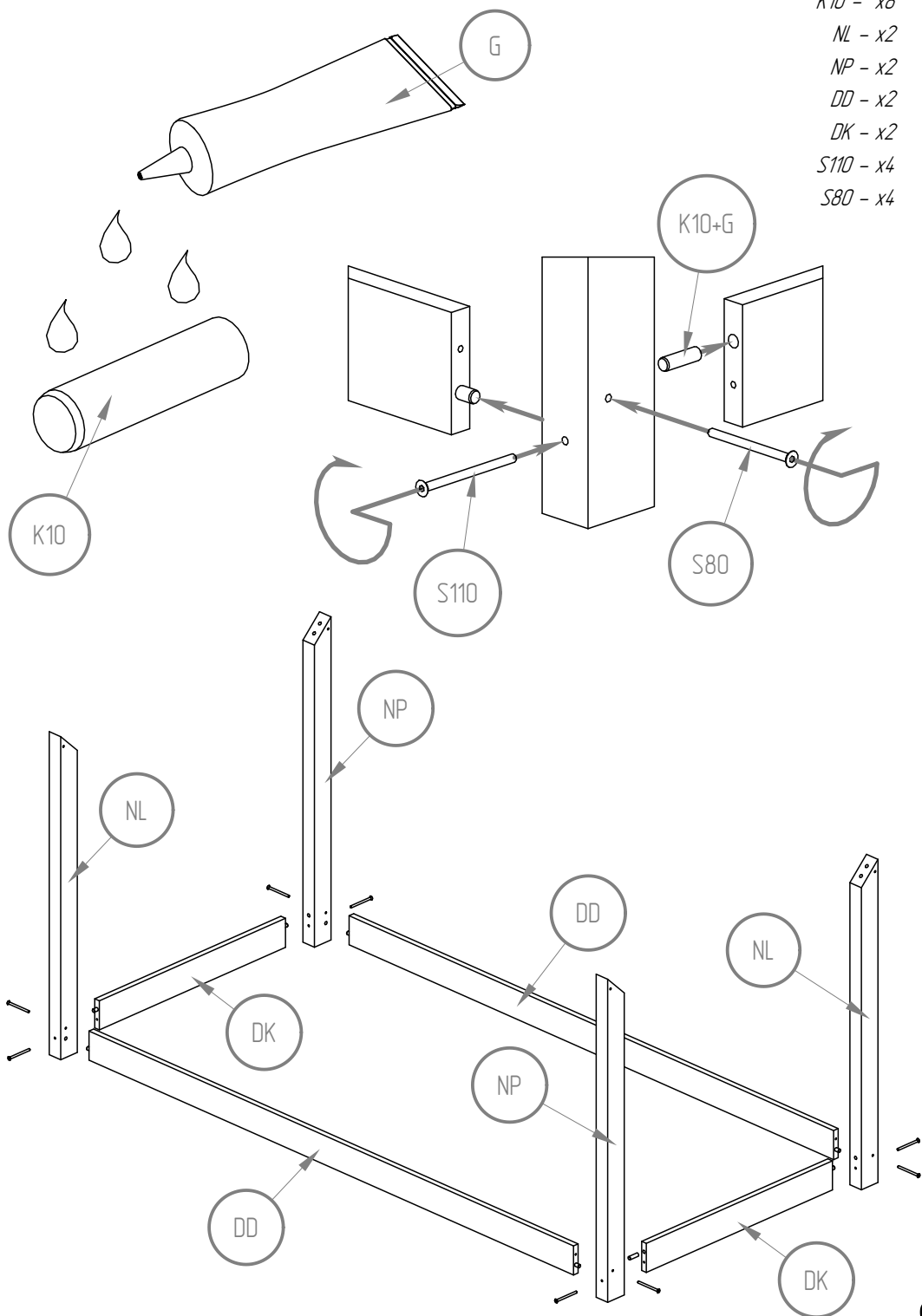
NP - x2

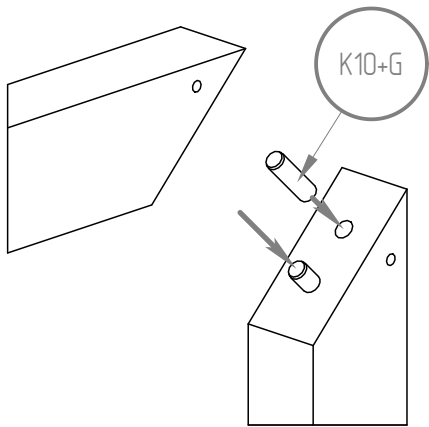
DD - x2

DK - x2

S110 - x4

S80 - x4



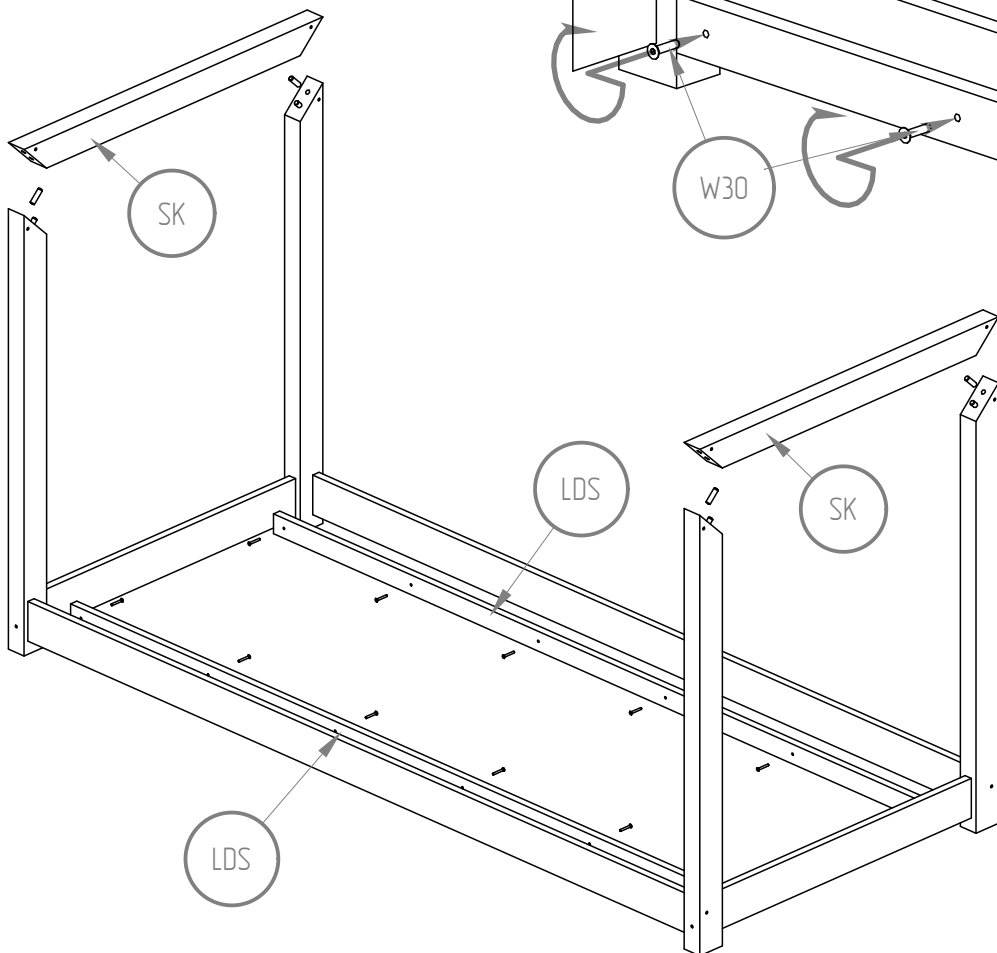
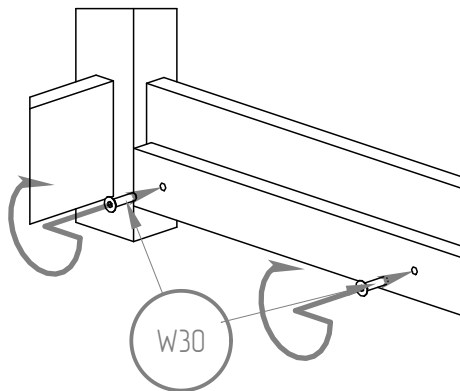


K10 - x8

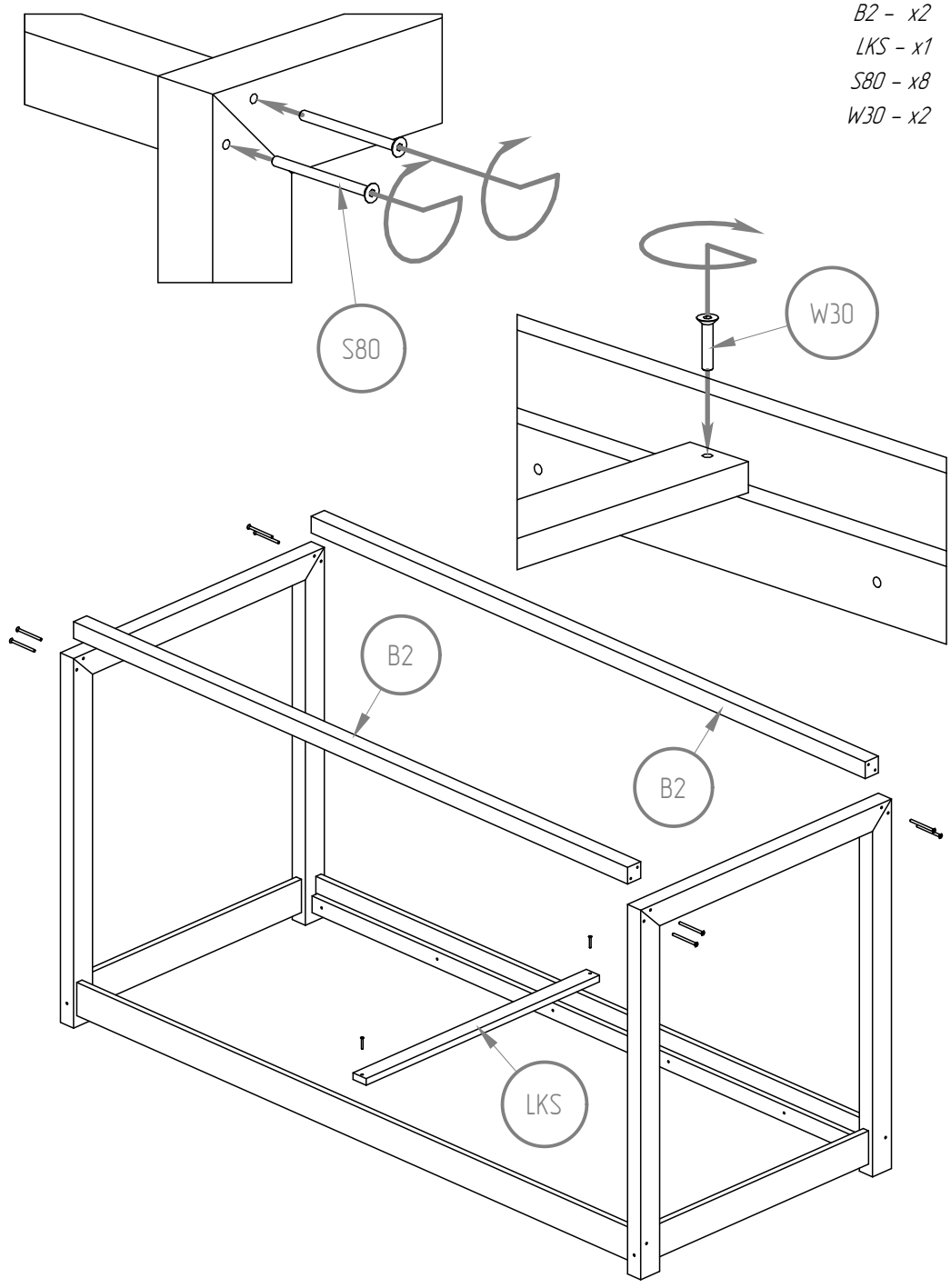
SK - x2

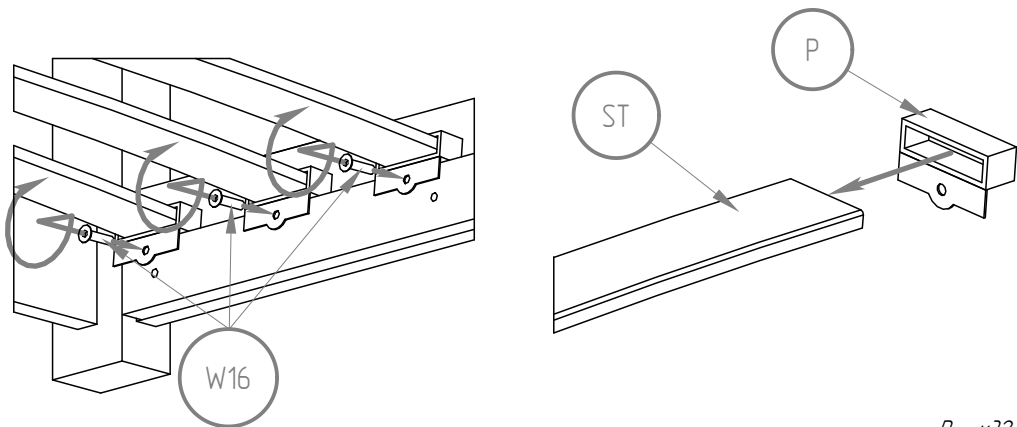
LDS - x2

W30 - x12



- B2 - x2
- LKS - x1
- S80 - x8
- W30 - x2

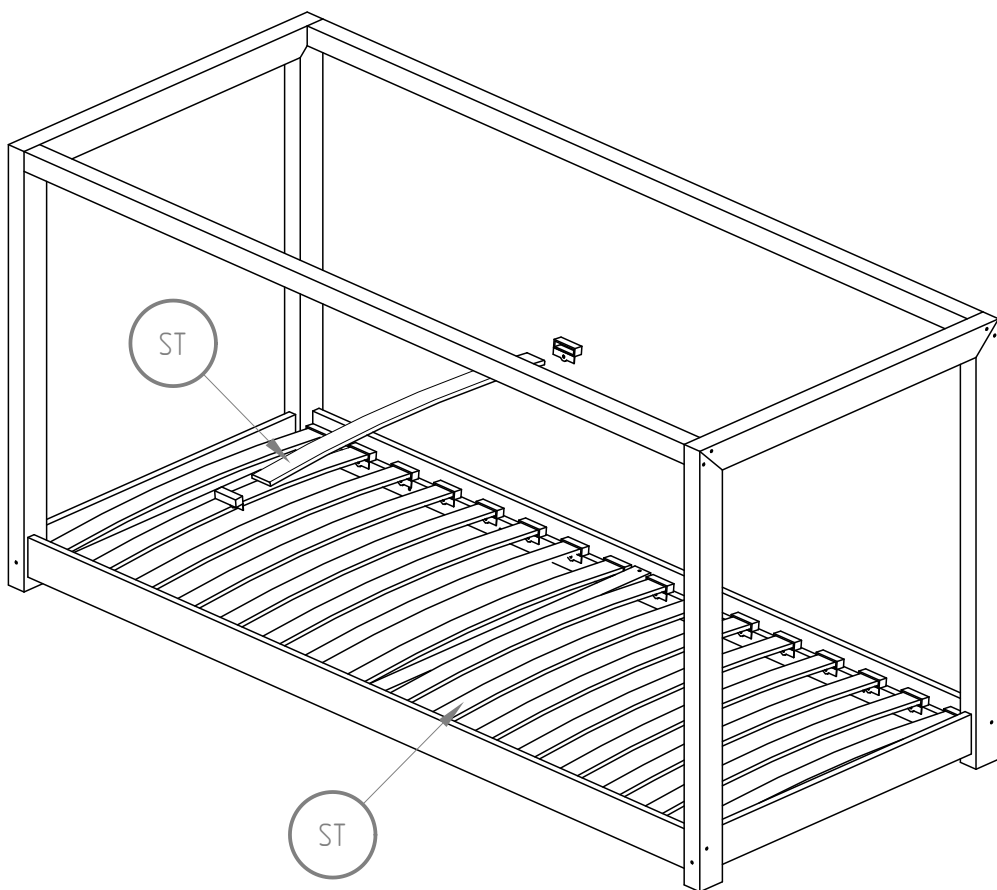




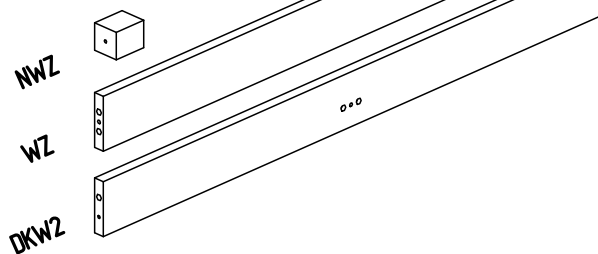
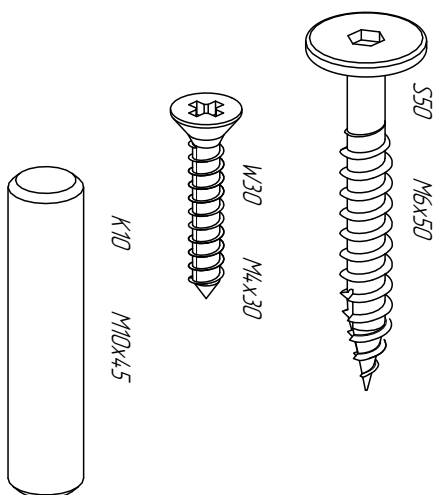
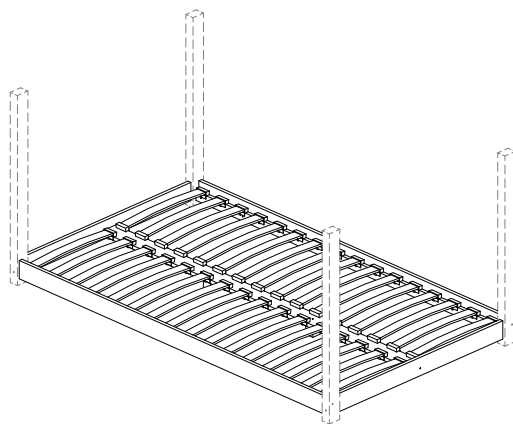
P - x32

ST - x16

W16 - x32

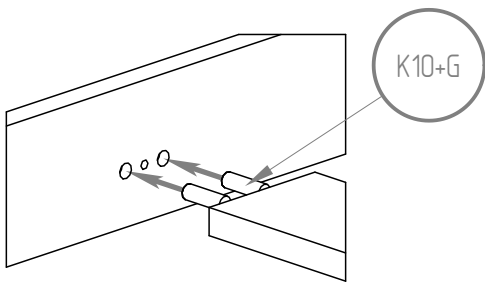


**Instalace postelí o šířce přes 90 cm,
doplňujeme tuto instrukci.**

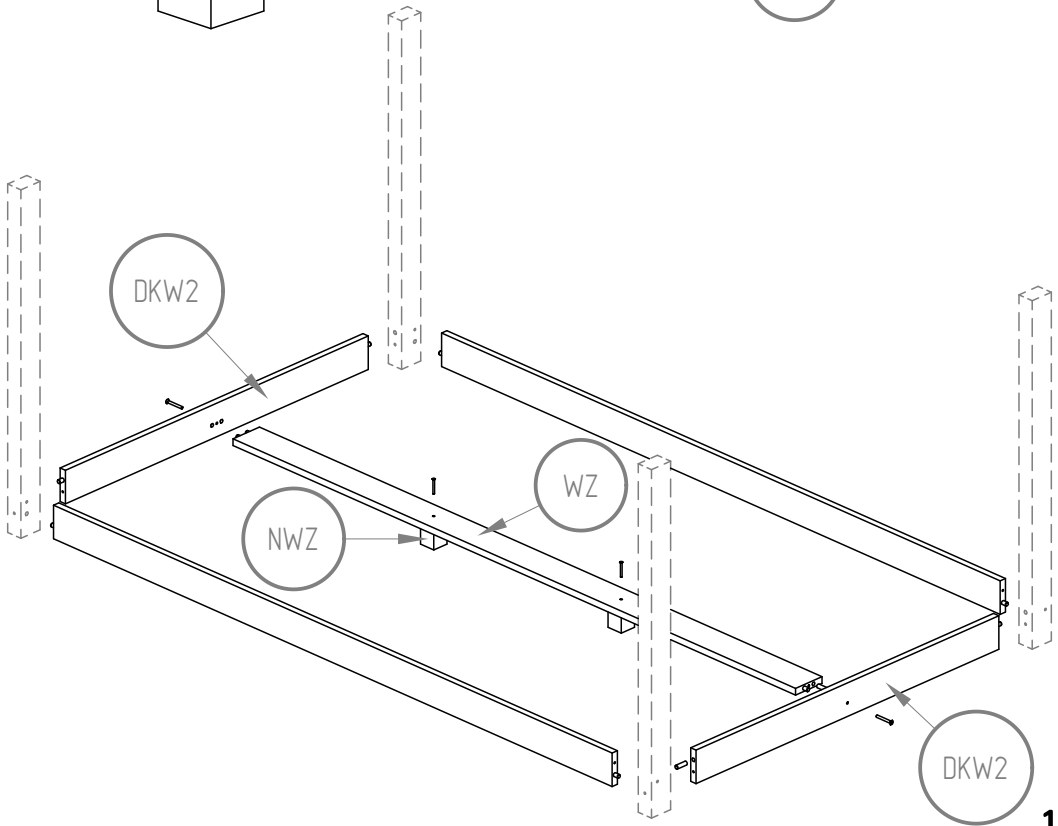
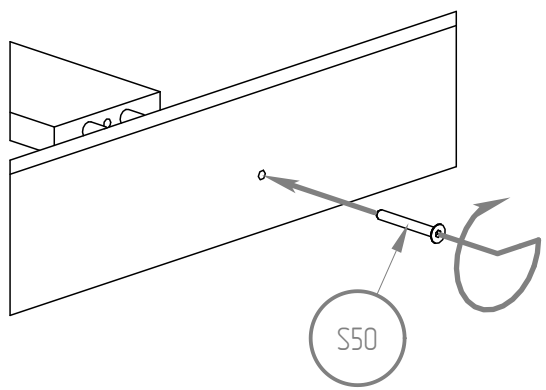
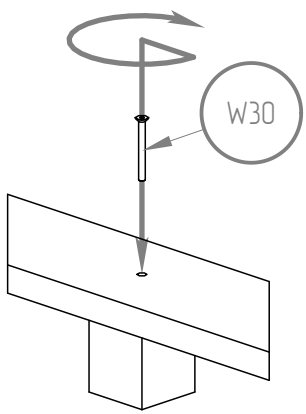


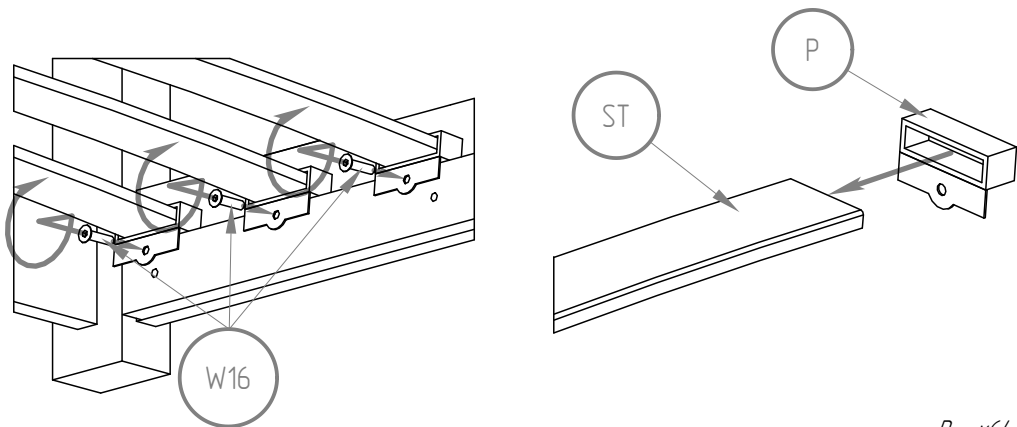
+ SIZE

- NWZ - x2
- WZ - x1
- DKW2 - x2
- K10 - x4
- W30 - x2
- S50 - x2



- K10 - x4*
- NWZ - x2*
- WZ - x1*
- DKW2 - x2*
- S50 - x2*
- W30 - x2*





P - x64

ST - x32

W16 - x64

